



QUADRAPLEXOR

120V ALTERNATOR

BASIC MODELS:

Plug-In: 009-120-34P
Surface Mount: 009-120-34

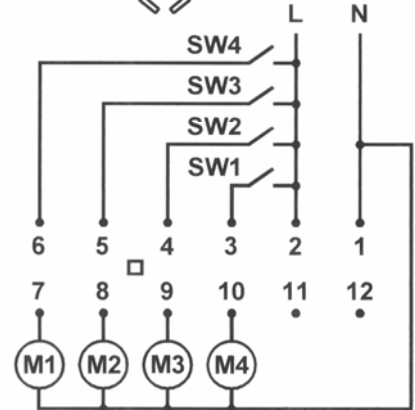
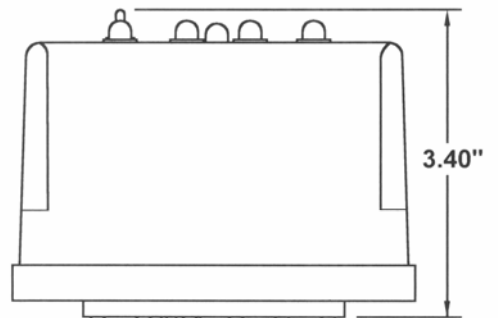
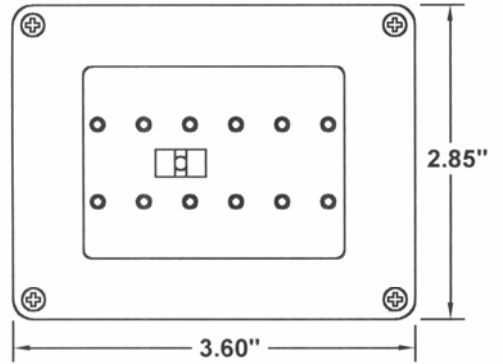
FEATURES:

- Solid State Circuitry
- 120VAC Inputs
- Relay Outputs
- Load Select Switch
- Output Indicators
- Power On Indicator
- Plug In or Surface Mount



UL FILE #E101681

**MADE IN
THE U.S.A.**



OPERATION

The 009-120-34P (or 009-120-34) Quadraplex Alternator is a 4 input, 3 or 4 output, solid state alternator that equalizes output load operational time. The opening of switch SW1 on pin 3 causes the Quadraplexor to change to the next sequence in preparation for the next cycle. For each cycle, the Quadraplexor outputs are turned on in a 1-2-3-4, 2-3-4-1, 3-4-1-2, or 4-1-2-3 sequence, as switches SW1-SW4 are closed. A load select switch permits the Quadraplexor to be used as a triplex alternator until system expansion requires quadraplex operation.

SPECIFICATIONS

Supply Voltage:	120VAC - 1 Phase 50/60 Hz
Output Relay Rating:	10A @ 120VAC
Inputs:	(4) 120VAC Operation
Number of Outputs:	3 or 4 (Selectable)
Power Dissipation:	Less Than 2 Watts
Operating Temp:	-20 To +60 °C
Storage Temp:	-45 To +85 °C
Enclosure:	Lexan
Base:	Phenolic
Dimensions – Plug-In:	3.40"H x 3.60"L x 2.85"W
– Surface Mount:	3.40"H x 3.60"L x 3.60"W

ORDERING INFORMATION

009 - 120 - 34 P

Product Type ————
Operating Voltage ————
Load Select ————
34 – 3 or 4 Load Alternation
Option ————
P – Plug-in Base
Blank – Surface Mount