



# TRIPLEXOR

## 120V ALTERNATOR

### BASIC MODELS:

Plug-In: 009-120-23P  
Surface Mount: 009-120-23

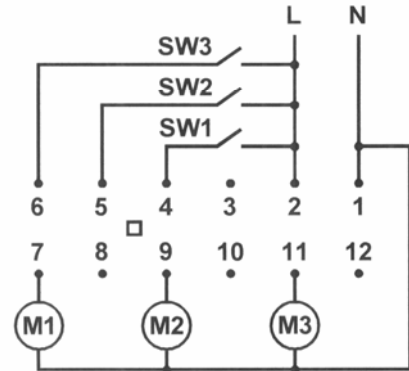
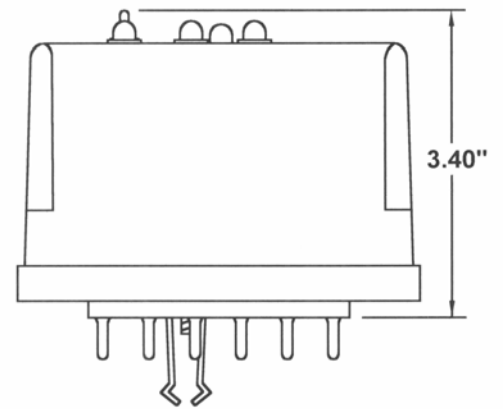
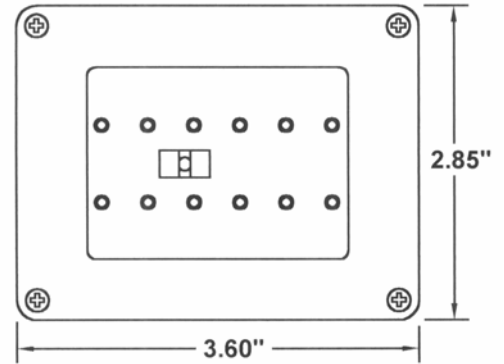
### FEATURES:

- Solid State Circuitry
- 120VAC Inputs
- Relay Outputs
- Load Select Switch
- Output Indicators
- Power On Indicator
- Plug In or Surface Mount



UL FILE #E101681

**MADE IN  
THE U.S.A.**



## OPERATION

The 009-120-23P (or 009-120-23) Triplex Alternator is a 3 input, 2 or 3 output, solid state alternator that equalizes output load operational time. The opening of switch SW1 on pin 4 causes the Triplexor to change to the next sequence in preparation for the next cycle. For each cycle, the Triplexor outputs are turned on in a 1-2-3, 2-3-1 or 3-1-2 sequence, as switches SW1-SW3 are closed. A load select switch permits the Triplexor to be used as a duplex alternator until system expansion requires Triplex operation.

## SPECIFICATIONS

Supply Voltage:	120VAC - 1 Phase 50/60 Hz
Output Relay Rating:	10A @ 120VAC
Inputs:	(3) 120VAC Operation
Number of Outputs:	2 or 3 (Selectable)
Power Dissipation:	Less Than 2 Watts
Operating Temp:	-20 To +60 °C
Storage Temp:	-45 To +85 °C
Enclosure:	Lexan
Base:	Phenolic
Dimensions – Plug-In:	3.40"H x 3.60"L x 2.85"W
– Surface Mount:	3.40"H x 3.60"L x 3.60"W

## ORDERING INFORMATION

Product Type	009 - 120 - 23 P
Operating Voltage	120
Load Select	23
Option	P
	P – Plug-in Base
	Blank – Surface Mount